

Champtek SD300

Lettores di codice a barre CCD a contatto 80mm



Specifiche tecniche:

- Light Source: Visible Red light 632nm LED
- Depth Of Field: 50mm@20mil/0.5mm, PCS90% (Contact type)
- Resolution: 4mil/0.1mm @ PCS90%
- Ambient Light: 5000 Lux Max.
- Voltage: DC +5V ±5%
- Power Consumption: 130mA
- Reading Indicator: Beeper and LED
- Scan Rate: 100 scans/sec
- Interface: **USB**

Ragione sociale		
Indirizzo		
CAP	Città	Prov.
Tel.	Fax	
Email	Partita IVA	
Banca – IBAN (OBBLIGATORIO)		
<input checked="" type="checkbox"/> Acquisto il lettore "Champtek SD300" al prezzo promozionale (compreso SPESE DI SPEDIZIONE)		€ 39,00*
Inviare il foglio firmato e compilato in ogni sua parte a mezzo fax al numero 049 8252115. Per informazioni contattare il numero 049 9461900. *Prezzi iva esclusa. Spedizione compresa. Pagamento: RICEVUTA BANCARIA 30 GG.D.F. Salvo esaurimento scorte.		Timbro e firma

BAZZACCO

LYBRO

3CLICK

LYBRO
PROPAGANDA

BAZZACCO SRL

Via 4 Novembre, 1/A - 35018 SAN MARTINO DI LUPARI (PD)

Tel. 049 9461900 - Fax 049 5951126 - email: info@lybro.it - web: www.lybro.it

P.IVA e C.F. 04290980285 REA 377720 Cap.Soc. 50.000€ i.v. - soc. uni personale - UNICREDIT BANCA IBAN: IT8610200862820000041254711

CHAMPTEK[®]

SD-300

Barcode Scanner



Introduction

The Champtek SD300 is a well-designed economic handheld CCD scanner which preserved the characteristics of previous product line with " high performance and most cost effective solution" in the market.

The SD300 is contact type bar code linear imagers are designed with streamlined and ergonomic form factor. The rugged construction and outstanding readability can maximize the reliability and productivity to meet the demands of retail and general commercial applications.

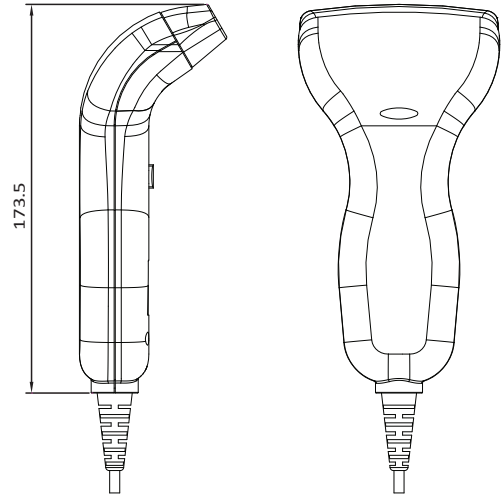
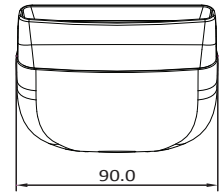
The SD300 is equipped with universal interfaces to support most of host systems, such as PS/2 keyboard, RS232 serial and USB HID by simply replacing the cable. The powerful built-in decoder reads and discriminates all major symbologies, reducing processing time and labor costs, while increasing accuracy. The decoder also allows editing and modifying scanned data before sending it to the host device.

CHAMPTEK[®]
We value your ID's

www.champtek.com

Features

- Ideal resolution for retail and general commercial applications
- Reads most commonly used bar code symbologies
- Compatible with most host systems through "all-in-one" universal interface
- Folio style and ergonomic design, available for Beige , Dark Gray and Black color choice



Specifications

Physical Characteristics

Depth	174 mm
Width	90 mm
Height	31 mm
Weight	Approx. 4.43 oz(138 g)(w/o cable)
Width Of Window	80 mm
Housing Material	ABS

Electrical

Voltage	DC +5 V \pm 5%
Power Consumption	80 mA Max.
EMC	FCC Part 15 Class B, EN55022, EN55024,

OperationI

Light source	Visible red light 632nm LED
Interfaces	RS232, KBW, USB
Cable	Straight 5 ft.
Connector	RJ45 phone jack connector
Reading Indicator	Beeper and LED

Environmental

Operating Temp	0°C to 50°C (32°F to 122°F)
Storage Temp	- 20°C ~ 70°C (-4°F to 158°F)
Relative Humidity	20% ~ 95% (Non - Condensing)
Drop	60 inch(150cm) drop on concrete surface
Ambient Light	5000 Lux Max.

Scan Performance

Depth of Field	50mm@20mil/0.5mm, PCS90%
Scan Rate	100 scans/sec
Resolution	4mil/0.1mm@PCS90%

Readable Symbologies

GS1 DataBar, UPC / EAN / JAN, Code 39, EAN128, Full ASCII, Code 128, Inteleave 25, Martrix 25, CODABAR / NW7, Code11, MSI / PLESSEY, Code93, China Postage, Code 32 / Italian Phammacy

Due to Champtek's / Scantech ID's continuing product improvement programs, specifications and features are subject to change without notice.